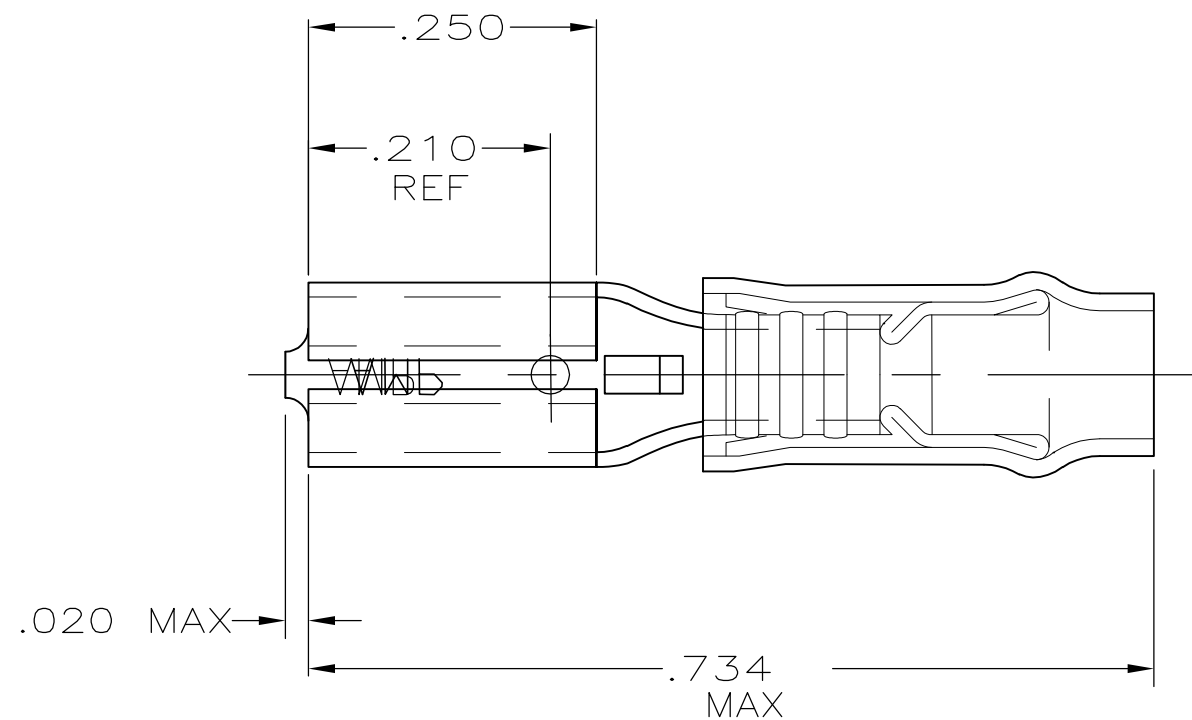


THIS DRAWING IS UNPUBLISHED. RELEASED FOR PUBLICATION  
 © COPYRIGHT - By - ALL RIGHTS RESERVED.

LOC	DIST	REVISIONS					
		P	LTR	DESCRIPTION	DATE	DWN	APVD
G	14		F1	REVISED PER ECO-11-004917	11MAR11	RK	HMR



- 1. INSULATION DIA .100 MAX
- 2. TAB THK .033 MAX

5	LOOSE PC,BLS	8-60894-4
100	LOOSE PC,BOX	8-60894-1
-	TAPE MOUNTED	60894-2
-	LOOSE PIECE	60894-1
QTY	PACKAGE TYPE	PART NO

AMP INCORPORATED  
 CUSTOMER SERVICE SYSTEM

FOR ADDITIONAL PRODUCT INFORMATION OR COPIES OF DRAWINGS AND TECHNICAL DOCUMENTS  
 PRODUCT INFORMATION CENTER  
 1-800-522-6752

FOR APPLICATION TOOLING INFORMATION  
 TOOLING ASSISTANCE CENTER  
 1-800-722-1111

FOR ORDER ENTRY  
 1-800-526-5142

MAX RECOMMENDED OPERATING TEMPERATURE:  
 -

VOLTAGE RATING:  
 -

CIRCULAR MIL AREA:  
 -

THIS DRAWING IS A CONTROLLED DOCUMENT.

DIMENSIONS: INCHES

TOLERANCES UNLESS OTHERWISE SPECIFIED:  
 0 PLC ± -  
 1 PLC ± -  
 2 PLC ± .015  
 3 PLC ± -  
 4 PLC ± -  
 ANGLES ± -

MATERIAL  
 BODY,BRASS .012 SLV,NYLON,COLOR,CLEAR

FINISH  
 BODY,PRE-TIN

DWN L OLMEDA 13NOV95  
 CHK M ELLIS 13NOV95  
 APVD B BARE 13NOV95  
 PRODUCT SPEC  
 APPLICATION SPEC  
 WEIGHT -

**STE** TE Connectivity

NAME  
 RECEPTACLE, 110 SERIES,  
 FASTON™, PIDG™,  
 WIRE SIZE, 22-18 AWG

SIZE A3 CAGE CODE 00779 DRAWING NO C-60894 RESTRICTED TO -

CUSTOMER DRAWING SCALE NTS SHEET 1 OF 1 REV F1